

A Higher Level of Performance



Data Sheet

UltraFlo™ Ultrasonic Flow Meter (UFD3)

Fixed or Portable

Clamp-on Ultrasonic Flow Meter



For more information, please visit >
www.hawkmeasurement.com

Overview

UltraFlo™ Ultrasonic Flow Meter (UFD3)

Fixed or Portable Clamp-on Ultrasonic Flow Meter

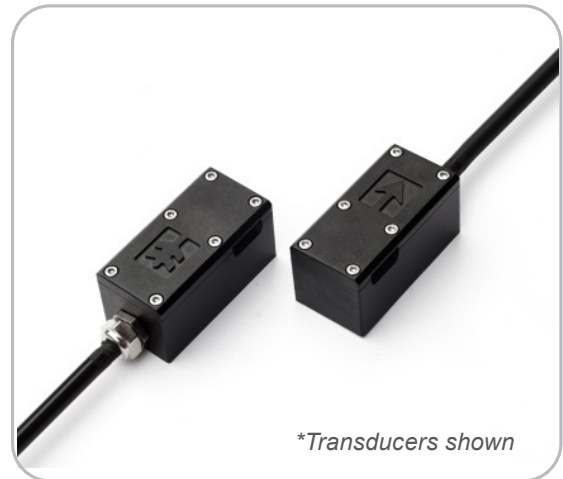
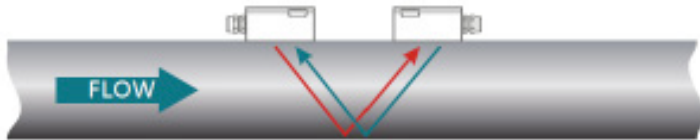


Principle of Operation

The UltraFlo™ UFD3 ultrasonic flow meter is a fixed or portable, clamp-on flow meter that is easy to install, accurate, and simple to use. The UltraFlo™ UFD3 is equipped with intelligent software to ensure high accuracy and low velocity response. The flow meter has the ability to be a fixed unit or portable unit. The UltraFlo™ UFD3 ultrasonic flow meter is widely used in applications such as oil and gas, water treatment, pure water, chemical, and much more.

Technology

The ultrasonic signal from the transducer is transmitted and received through the moving liquid. The difference between the upstream and downstream transit time is then used to calculate flow and velocity.



Typical Applications



Agriculture



Environmental Water & Wastewater



Oil & Gas



Chemical & Petrochemical



Life Sciences



OEM



Minerals & Mining



Power & Energy

Features and Benefits

- Backlit bright LCD display
- RS232/RS485 or Modbus communication
- Portable or Fixed unit
- Highly accurate and easy to install
- Clamps onto pipe, requires no need to cut pipe
- 5 year warranty

Specifications

UltraFlo™ Ultrasonic Flow Meter (UFD3)

Fixed or Portable Clamp-on Ultrasonic Flow Meter



Specifications

PERFORMANCE	
FLOW RANGE	±0.09ft/s ~ ±40ft/s (±0.03m/s ~ ±12m/s)
ACCURACY	±0.5% of reading (for ±1.5ft/s~±40ft/s)
REPEATABILITY	0.15% of measured value
LINEARITY	±0.5%
PIPE SIZE	1" to 200" (25mm to 5000mm). Pipe size under 1" is an option
FUNCTION	
OUTPUTS	Analog output: 4~20mA, max load 750Ω. Pulse output: 0~9999Hz, OCT, (min. and max. frequency is adjustable) Relay output: SPST, max 1Hz, (1A@125VAC or 2A@30VDC)
COMMUNICATION	RS232 & RS485
MEMORY	TF card (Max 4G)
POWER SUPPLY	90 to 245 VAC, 48 to 63 Hz. Or 10 to 36VDC
DISPLAY	240*128 back lit LCD
TEMPERATURE	Transmitter: -40°~140° (-40°~60°) Transducer:-40°~176° (-40°~80°, standard)
HUMIDITY	Up to 99% RH, non-condensing
PHYSICAL	
TRANSMITTER	IP65
TRANSDUCER	IP68 Encapsulated design Double-shielded transducer cable Standard/maximum cable length: 30ft/900ft (9m/274m)
<i>Specifications are subject to change without notice.</i>	

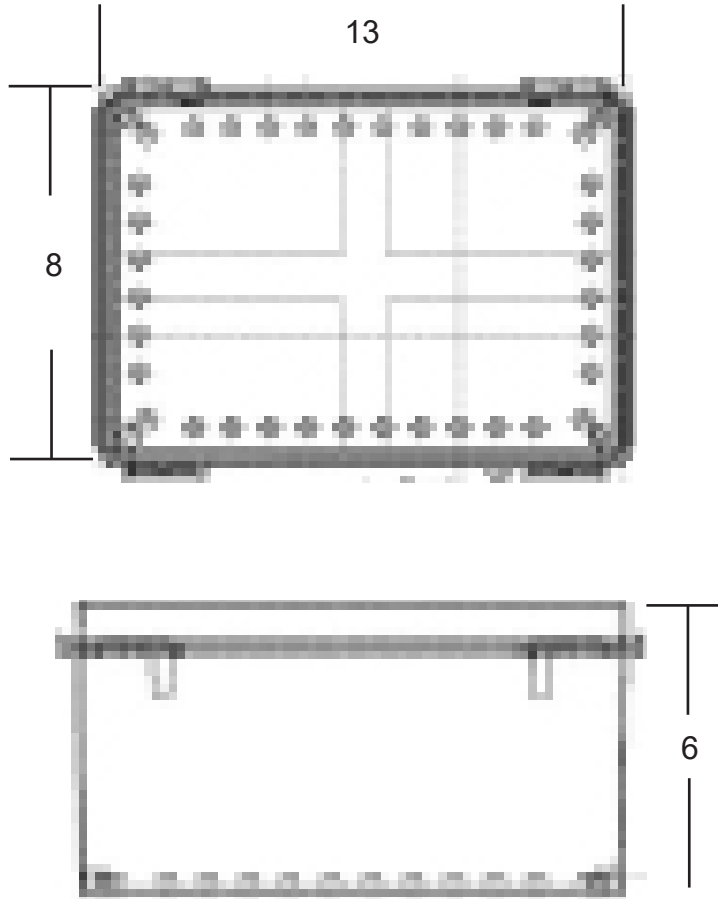
Dimensions

UltraFlo™ Ultrasonic Flow Meter (UFD3)
Fixed or Portable Clamp-on Ultrasonic Flow Meter

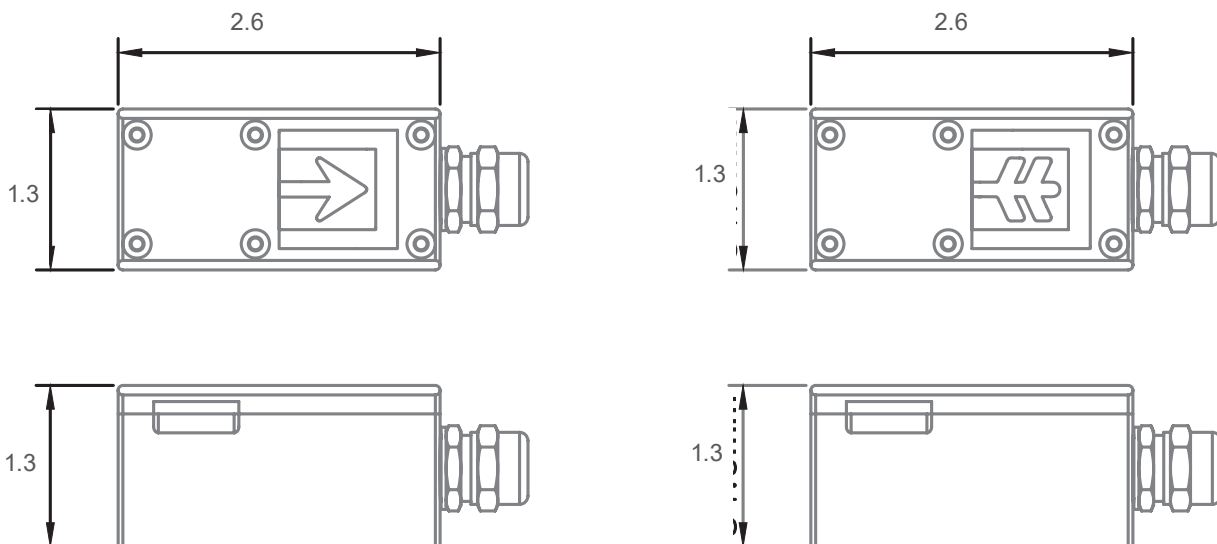


Dimensions

Transmitter - Fixed Option



Transducer



Ordering Information

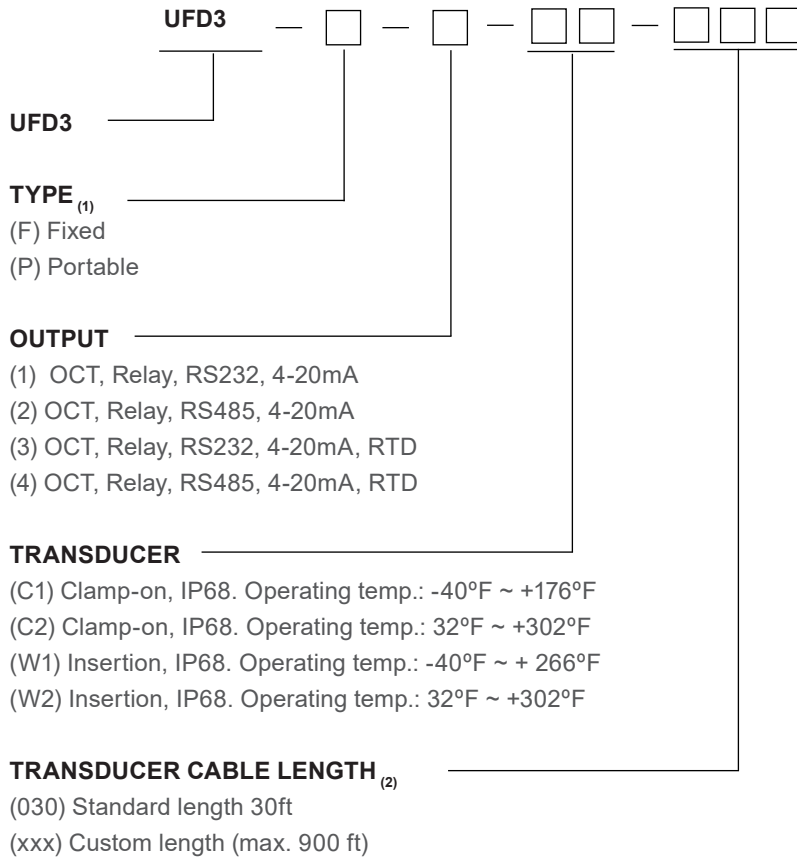
UltraFlo™ Ultrasonic Flow Meter (UFD3)

Fixed or Portable Clamp-on Ultrasonic Flow Meter



Ordering Information

HAWK Model Number Builder



Ordering Notes:

- (1) Select the best configuration based on your requirements
- (2) Enter length in feet, maximum 900ft. Example: 89 feet required, enter 089

Hawk Measurement Systems (Head Office)

15 - 17 Maurice Court, Nunawading VIC 3131, AUSTRALIA

Phone: +61 3 9873 4750

Fax: +61 3 9873 4538

info@hawk.com.au

Hawk Measurement

5010 Gateway Drive, Medina, OH 44256, USA

Phone: +1 888 HAWKLEVEL (1-888-429-5538) / +1 978 304 3000 / +1 877-356-5463

Fax: +1 978 304 1462 / +1 330-331-7172

info@hawkmeasure.com

For more information and global representatives: www.hawkmeasurement.com

Additional product warranty and application guarantees upon request.

Technical data subject to change without notice.

DOC-UFD3-DAT
Rev 1.00 0320