

A Higher Level of Performance



Data Sheet

---

## CaIFlo™ CFVF

Thermal Mass Liquid Flow Meter



For more information, please visit >  
[www.hawkmeasurement.com](http://www.hawkmeasurement.com)

# Overview

CalFlo™ CFVF

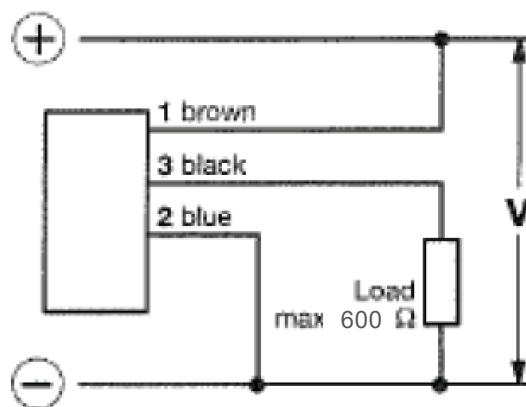
Thermal Mass Liquid Flow Meter



## Principle of Operation

The CalFlo™ CFVF Thermal Mass Liquid Flow Meter is a great choice for a variety of measurement and control applications. Completely encapsulated in epoxy resin, the CFVF features solid-state sensing with proven reliability and long-term stability, even under the harshest environmental conditions. The CFVF has an adjustable measuring range, LED indication of flow, and is well-suited for pipes up to 16" in diameter. Typical applications include potable water, nonpotable water, deionized water, sulfuric acid, light oil, and diluted corrosive liquids.

## Connection Diagram



## Features and Benefits

- Compact flow meter designed for industrial applications
- Rugged Stainless Steel construction
- High-accuracy with NO moving parts
- Adjustable measuring range up to 6.5 fps
- Suitable for pipes up to 16"
- Easy to install

# Specifications

CalFlo™ CFVF

Thermal Mass Liquid Flow Meter



## Specifications

<b>Service</b>	Compatible Liquids
<b>Measuring Range</b>	Continually adjustable from min. 0.25 to .65 fps to max. 0.25 to 6.5 fps
<b>Pressure</b>	435 psi (30 bar)
<b>Accuracy</b>	< 3%
<b>Repeatability</b>	< 1%
<b>Temperature Drift</b>	< 0.3% / K
<b>Supply Voltage</b>	24 VDC ± 10%
<b>Consumption</b>	Approx. 100-200 mA (max. flow)
<b>Output</b>	4-20 mA
<b>Resistive Load</b>	0-600 Ohm
<b>Measurement Range Adjustment</b>	The two potentiometers at the rear end of housing allow zero balancing and adjustment of the measuring range by means of a small screwdriver. A color changing LED signaling flow within the adjusted measuring range (green) or above (red).
<b>Process Temperature</b>	F: 14° to 176° C: -10° to 80°
<b>Ambient Temperature</b>	F: 14° to 140° C: -10° to 60°
<b>Enclosure Rating</b>	NEMA 4X (IP65)
<b>Enclosure Material</b>	Stainless Steel
<b>Union Nut</b>	1" NPT
<b>Weight</b>	5.64 oz (160 g)
<b>Cable</b>	
<b>Cable Jacket Material</b>	Oilflex
<b>Cable Length</b>	6.5' (2m)

*Note: Please Consult Factory for Special Requirements*

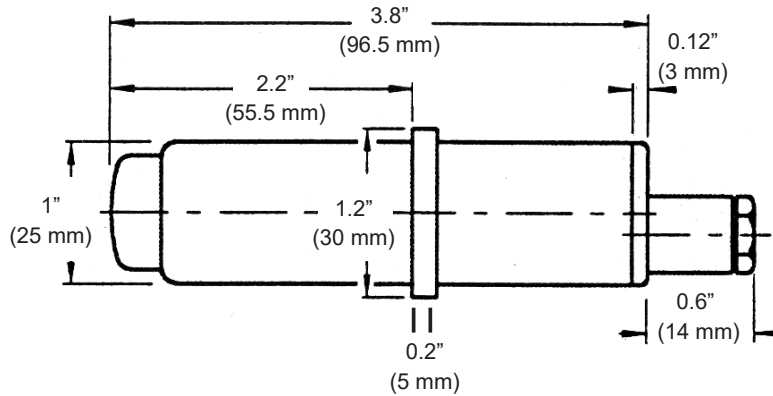
# Dimensions & Ordering Information

CalFlo™ CFVF

Thermal Mass Liquid Flow Meter



## Dimensions



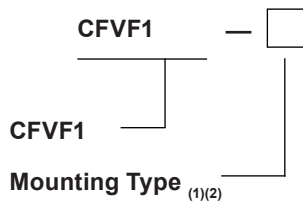
## Ordering Information

### HAWK Model Number Builder

Use the diagram below, working from left to right to construct your HAWK Model Number. Simply match the category number to the corresponding box number.

Example: **CFVF1-N**

CalFlo CFVF Thermal Mass Liquid Flow Meter, 1" Sensor Diameter, No Mounting Type



- Mounting Type <sup>(1)(2)</sup>
- N) None
  - W) Weldolet Fitting

### Ordering Notes:

- (1) This unit comes standard with a NPT (US) threaded union nut for installation. To special order a BSP (Metric) threaded union nut, place BSP at the end of the p/n: (ie: CFVF-1-BSP)
- (2) Comes complete with 6.5' (2m) pre-wired cable and manual.

Specifications are subject to change without notice.

### Hawk Measurement Systems (Head Office)

15 - 17 Maurice Court, Nunawading VIC 3131, AUSTRALIA

Phone: +61 3 9873 4750

Fax: +61 3 9873 4538

info@hawk.com.au

### Hawk Measurement

5010 Gateway Drive, Medina, OH 44256, USA

Phone: +1 888 HAWKLEVEL (1-888-429-5538) / +1 978 304 3000 / +1 877-356-5463

Fax: +1 978 304 1462 / +1 330-331-7172

info@hawkmeasure.com

For more information and global representatives: [www.hawkmeasurement.com](http://www.hawkmeasurement.com)

Additional product warranty and application guarantees upon request.

Technical data subject to change without notice.