

A Higher Level of Performance



Data Sheet

CaFlo™ CFVF2

Thermal Mass Liquid Flow Meter



For more information, please visit >
www.hawkmeasurement.com

Overview & Specifications

CalFlo™ CFVF2

Thermal Mass Liquid Flow Meter



Principle of Operation

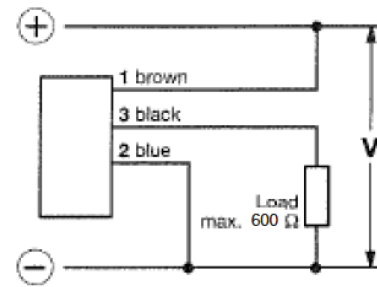
The CalFlo™ CFVF2 Thermal Mass Liquid Flow Meter is a great choice for a wide range of liquid applications. The CFVF2 provides high accuracy measurement of flow, including very low flow rates, using a solid state design with NO moving parts. The CFVF2 features an adjustable measuring range, easily adjusts to variable insertion depths, and fit pipes up to 24" in diameter. Typical applications include potable water, non-potable water, deionized water, sulfuric acid, light oil, and diluted corrosive liquids.

Specifications



Service	Compatible Liquids
Measuring Range	0.25 to 10 fps (3 mps)
Pressure	261 psi (18 bar)
Accuracy	< 3%
Repeatability	< 1% / Response time to flow rate change 10 sec. typ.
Supply Voltage	24 VDC \pm 10%
Consumption	Approx. 100-200 mA
Output	4-20 mA
Resistive Load	0-600 Ohm
Process Temperature	F: 32° to 176° C: 0 to 80°
Ambient Temperature	F: -4° to 160° C: -20° to 70°
Enclosure Rating	NEMA 4X (IP65)
Enclosure Material	Stainless Steel
Sensor Fitting	1½" NPT
Cable	
Cable Jacket Material	Oilflex
Cable Length	6.5' (2m)

Connection Diagram



Note: Specifications subject to change without notice

Features and Benefits

- Ideal for handling aggressive and hard to measure media
- Compact, rugged industrial design
- High-accuracy with NO moving parts
- Easy insertion depth adjustment for pipes up to 24" in diameter
- Adjustable measuring range
- Easy to install

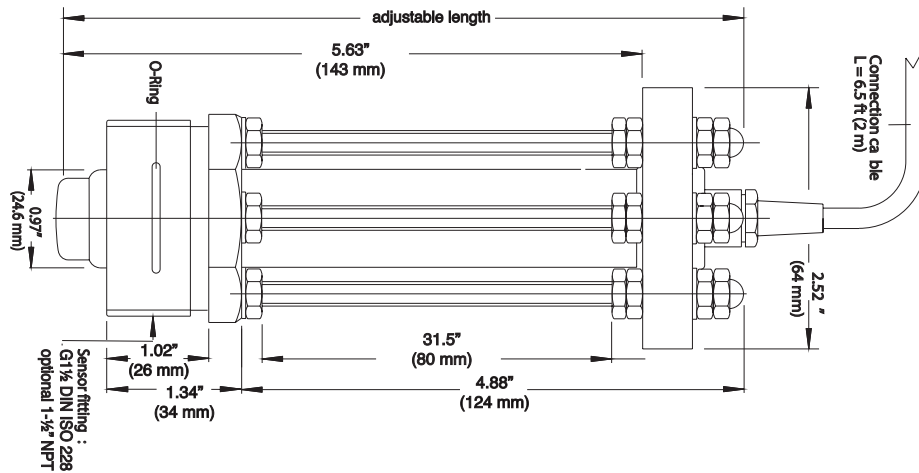
Dimensions & Ordering Information

CalFlo™ CFVF2

Thermal Mass Liquid Flow Meter



Dimensions



Ordering Information

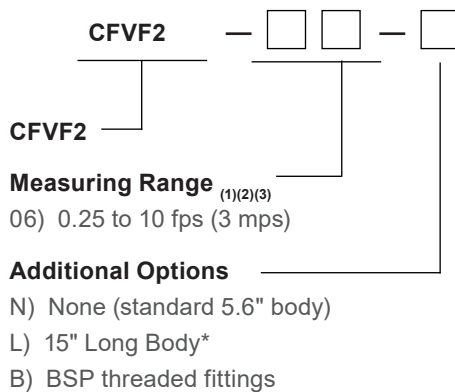
HAWK Model Number Builder

Use the diagram below, working from left to right to construct your HAWK Model Number.

Simply match the category number to the corresponding box number.

Example: **CFVF2-06-N**

CalFlo™ CFVF2 Thermal Mass Liquid Flow Meter, 0.25 to 13 fps Measuring Range with no additional options.



Ordering Notes:

- (1) Select the best configuration based on your requirements.
- (2) This unit comes standard with a NPT (US) threaded union nut for installation.
- (3) Comes complete with 6.5' (2m) pre-wired cable and manual.

Hawk Measurement Systems (Head Office)

15 - 17 Maurice Court, Nunawading VIC 3131, AUSTRALIA

Phone: +61 3 9873 4750

Fax: +61 3 9873 4538

info@hawk.com.au

Hawk Measurement

5010 Gateway Drive, Medina, OH 44256, USA

Phone: +1 888 HAWKLEVEL (1-888-429-5538) / +1 978 304 3000 / +1 877-356-5463

Fax: +1 978 304 1462 / +1 330-331-7172

info@hawkmeasure.com

For more information and global representatives: www.hawkmeasurement.com

Additional product warranty and application guarantees upon request.

Technical data subject to change without notice.

DOC-CFVF2-DAT
Rev 1.00 0520