

A Higher Level of Performance



Data Sheet

CaFlo™ CFHM

Thermal Mass Liquid Flow Meter



For more information, please visit >
www.hawkmeasurement.com

Overview

CalFlo™ CFHM

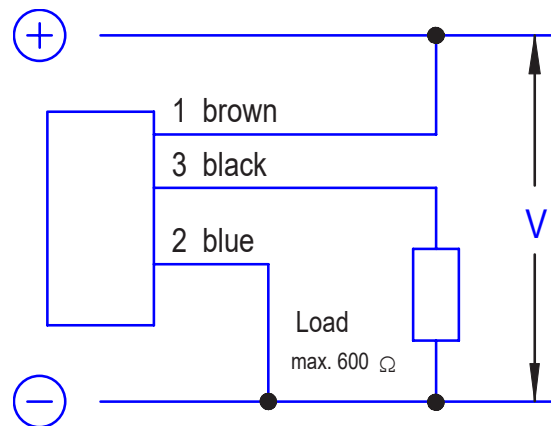
Thermal Mass Liquid Flow Meter



Principle of Operation

Ideal for monitoring low flow rates, the CalFlo™ CFHM is a self-contained, thermal mass liquid flow meter that is ideal for measurement and control applications. The CFHM is field adjustable and provides a 4-20 mA output for flow rate. The hollow stainless steel tube acts as the sensing device and provides intrusion-free flow monitoring. Typical applications include chemical dosing, oil lubrication monitoring, food and beverage processing, light to medium viscosity fluids and a variety of other industrial applications. Select the appropriate configurations based on your application or contact our Application Specialist for additional assistance.

Connection Diagram



4-20 mA current output

Features and Benefits

- Compact, Rugged Industrial Design
- Self-Contained Flow Meter
- Ideal for Small Pipe Sizes
- Non-Intrusive Sensing
- Suitable for Liquids, Semi-Solids and a Wide Range of Corrosive Media
- Field Adjustable With a 4-20 mA Output
- No Moving Parts

Specifications

CalFlo™ CFHM

Thermal Mass Liquid Flow Meter



Specifications



Sensor	
Service	Compatible liquids
Measuring Range	Continuously adjustable from 0.25-0.65 fps to 0.25-3.3 fps
Response Time	2-10 seconds
Repeatability	± 2% full scale
Temperature Drift	± 1.37°F (± 18.53°C)
Protection Rating	NEMA 4 (IP65)
Mechanical	
Sensor Material	Stainless steel (Std.) or Hastelloy®
Connection Size	1/8", 1/4", 1/2" 3/4"
Connection Type	Male NPT (Std.); Special Connection (Optional)
Enclosure Material	Makrolon®
Process Temperature	F: 14° to 176° C: -10° to 80°
Ambient Temperature	F: 14° to 140° C: -10° to 60°
Pressure	435 psi (30 bar)
Electrical	
Supply Voltage	24 VDC ±10%
Consumption	100 mA maximum
Output Current	4-20 mA
Loop Resistance	0-600 Ohms
Measuring Range Adjustment	The two potentiometers can be adjusted to set the measuring range and zero point. Operation within the measuring range is indicated by a green LED (within the range: ON; beyond the range: OFF)
Cable	
Cable Jacket Material	Oilflex
Cable Length	6.5 ft, 3-conductor 18 AWG

Note: Please Consult Factory for Special Requirements

*Data Based on Water

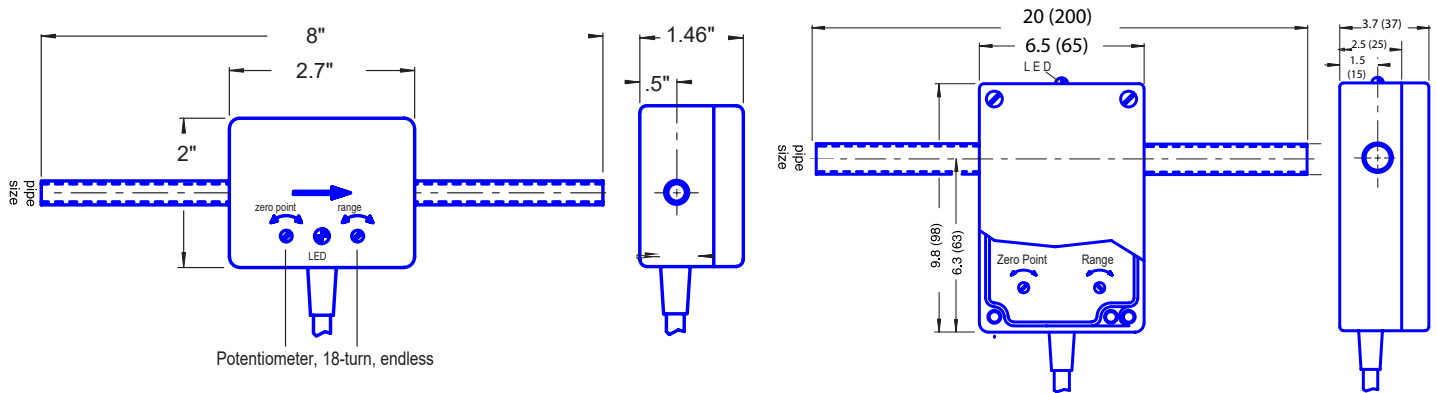
Dimensions & Ordering Information

CalFlo™ CFHM

Thermal Mass Liquid Flow Meter



Dimensions cm (mm)



Ordering Information

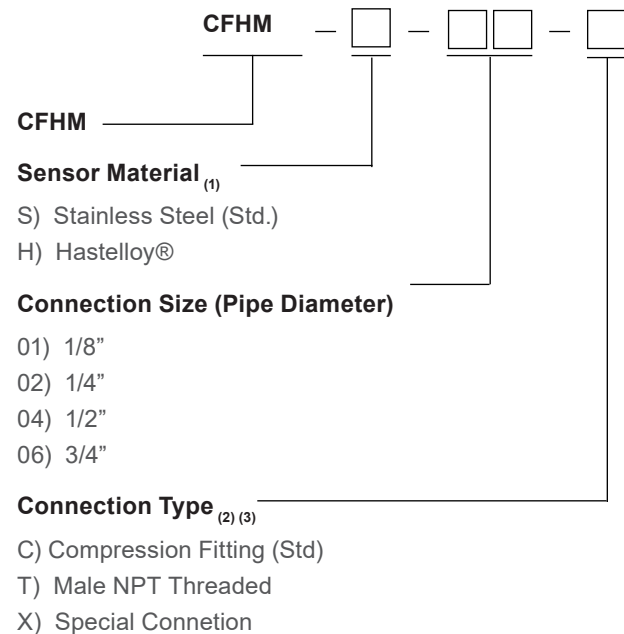
HAWK Model Number Builder

Use the diagram below, working from left to right to construct your HAWK Model Number.

Simply match the category number to the corresponding box number.

Example: **CFHM-S-02-T**

CalFlo™ CFHM Thermal Mass Liquid Flow Meter with Stainless Steel Sensor Material, 1/4" Connection Size, Male NPT Connection



Ordering Notes:

- (1) Select the best configuration based on your requirements
- (2) If you require a Special Connection (X), please consult factory with your requirements
- (3) Comes complete with 6.5' (2m) pre-wired cable and manual

Specifications are subject to change without notice.

Hawk Measurement Systems (Head Office)

15 - 17 Maurice Court, Nunawading VIC 3131, AUSTRALIA

Phone: +61 3 9873 4750

Fax: +61 3 9873 4538

info@hawk.com.au

Hawk Measurement

5010 Gateway Drive, Medina, OH 44256, USA

Phone: +1 888 HAWKLEVEL (1-888-429-5538) / +1 978 304 3000 / +1 877-356-5463

Fax: +1 978 304 1462 / +1 330-331-7172

info@hawkmeasure.com

For more information and global representatives: www.hawkmeasurement.com

Additional product warranty and application guarantees upon request.

Technical data subject to change without notice.

DOC-CFHM-DAT
Rev 1.00 0520