

A Higher Level of Performance



Data Sheet

---

## CaFlo™ CFSG3

Flow and Temperature  
Thermal Mass Air Flow Switch



For more information, please visit >  
[www.hawkmeasurement.com](http://www.hawkmeasurement.com)

# Overview

## CalFlo™ CFSG3

Flow and Temperature Thermal Mass Air Flow Switch

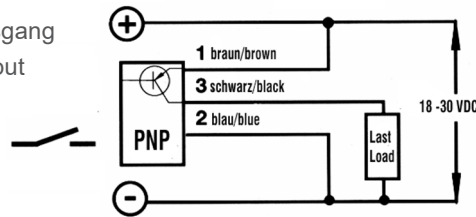


## Principle of Operation

The CALFLO™ CFSG3 flow and temperature thermal mass flow switch is a highly precise, compact industrial instrument. The CFSG3 works according to the calorimetric principle which is evaluated by using microprocessor technology.

## Connection Diagram

PNP - Transistor - Ausgang  
PNP - Transistor - Output



## Typical Applications



Agriculture



Environmental Water & Wastewater



Oil & Gas



Chemical & Petrochemical



Life Sciences



OEM



Minerals & Mining



Power & Energy

## Features and Benefits

- Switch-point factory set
- Simple commissioning
- Reliable and durable
- Water-based media
- No moving parts
- LED display for power and switching status
- Rugged design
- Maintenance-free
- 5-year warranty

# Specifications

CalFlo™ CFSG3

Flow and Temperature Thermal Mass Air Flow Switch



## Specifications

TECHNICAL DATA	
MEDIUM	Water-based
SENSOR DATA	
SET-POINT	factory-set 80 cm/s (other set-point on request)
MEDIUM TEMPERATURE	-20 °C to +80 °C
AMBIENT TEMPERATURE	-20 °C to +70 °C
PRESSURE	up to 100 bar (10000 KPa)
RESPONSE TIME	approx. 5 sec.
REPEATABILITY	< 2 %
HYSTERESIS	approx. 10 %
MECHANICAL DATA	
PROTECTION CLASS	IP 65
MATERIAL HOUSING	PBTP, glass fibre reinforced (Ultradur®)
SENSOR PIPE	stainless steel AISI 303
THREAD	1/2" - 14 NPT or G 1/2" BSP
ELECTRICAL CONNECTION	integrated plug connection with PG9 fitting, 2 m oilflex cable 3 x 0,5 mm2
ELECTRICAL DATA	
OPERATING VOLTAGE	18 - 30 VDC incl. residual ripple
CURRENT CONSUMPTION	max. 150 mA pulsed
INTERNAL CONSUMPTION	Internal consumption approx. 1 W
SWITCHING CURRENT	≤ 400 mA
PROTECTIVE CIRCUIT	reverse polarity, short circuits and overload protection (ready for operation after correcting the short circuit)
OPERATION READINESS	approx. 10 sec. after applying the operating voltage
ELECTRICAL OUTPUT	n.o. (closer) currentless
ELECTRICAL OUTPUT INDICATION	LED = switch state red / green
<i>Specifications are subject to change without notice.</i>	

# Ordering Information

CalFlo™ CFSG3

Flow and Temperature Thermal Mass Air Flow Switch

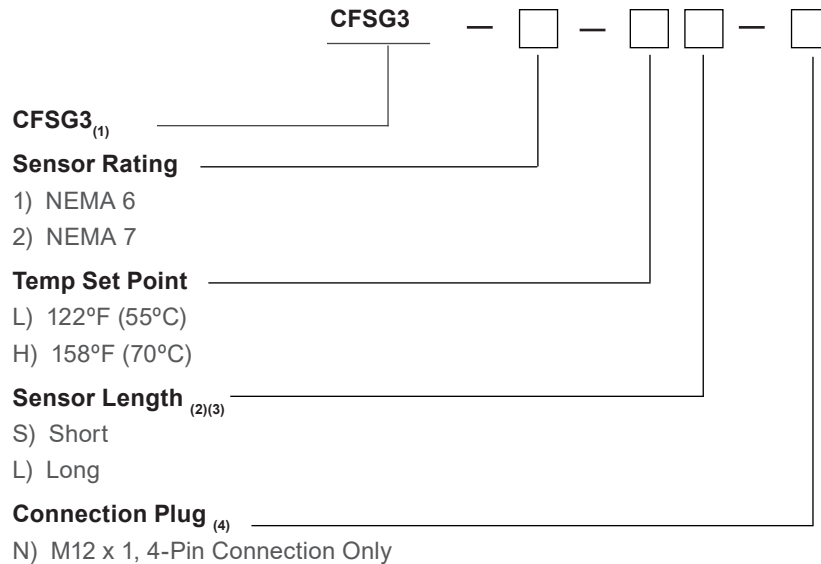


## Ordering Information

### HAWK Model Number Builder

Example: **CFSG3-1-LS-N**

CFSG3 Flow and Temperature Flow Switch, NEMA 6 rating, 122°F Temp set point, short sensor, M12 x 1.4-Pin Connection Plug



#### Ordering Notes:

(1) Select the best configuration based on your requirements. Classifications for each type:

CFSG3-1: NEMA 6 - General Purpose (Comes with 6.5' PVC cable)

CFSG3-2: NEMA 7 - Hazardous Proof

(2) Select the short sensor for use with pipe sizes 1/2" to 1 1/2" in diameter and the long sensor for 2" and up.

(3) This unit comes standard with NPT (US) threaded connections. To special order BSP (Metric) connections, place BSP at the end of the P/N: (ie CFSG3-1-LS-BSP).

(4) Standard M12 cable is required for operation.

#### Hawk Measurement Systems (Head Office)

15 - 17 Maurice Court, Nunawading VIC 3131, AUSTRALIA

Phone: +61 3 9873 4750

Fax: +61 3 9873 4538

info@hawk.com.au

#### Hawk Measurement

5010 Gateway Drive, Medina, OH 44256, USA

Phone: +1 888 HAWKLEVEL (1-888-429-5538) / +1 978 304 3000 / +1 877-356-5463

Fax: +1 978 304 1462 / +1 330-331-7172

info@hawkmeasure.com

For more information and global representatives: [www.hawkmeasurement.com](http://www.hawkmeasurement.com)

Additional product warranty and application guarantees upon request.

Technical data subject to change without notice.