

A Higher Level of Performance

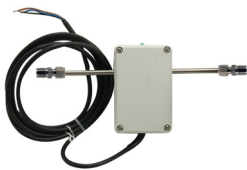


Data Sheet

---

## CaIFlo™ CFAS

Thermal Mass Air Flow Switch

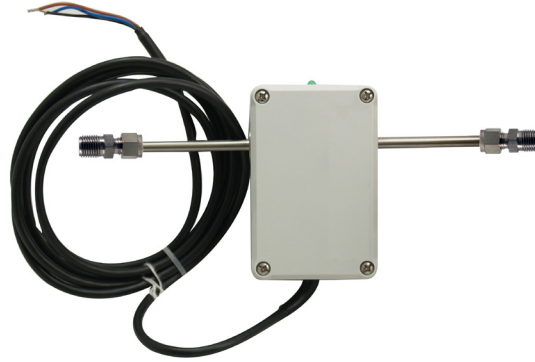


For more information, please visit >  
[www.hawkmeasurement.com](http://www.hawkmeasurement.com)

# Overview & Specifications

## CalFlo™ CFAS

Thermal Mass Air Flow Switch



## Principle of Operation

Ideal for small pipe and low flow applications, the CalFlo™ CFAS is a compact inline air flow switch that will accurately monitor a variety of gaseous media. Completely encapsulated in epoxy resin, the CFAS features a broad measuring range, LED output display and is well-suited for small pipes up to 3/4" in diameter. Typical applications include vent gas, wet stack gas, sample line flow, purge flow, nitrogen blanket flow and many others. Select the appropriate configurations based on your application or contact our Application Specialist for additional assistance.

## Specifications

Sensor	
Service	Compatible Gasses
Measuring Range	1.5-65 fps (0.5 - 20 mps)
Set-Point Adjustment	Stepless over total measuring range
Switching Hysteresis	< 20%
Switching Delay	Approx. 2 seconds when falling below or when exceeding set-point by more than 7 fps
Repeatability	< 1%
Temperature Drift	< 0.3% / K
Process Temperature	F: -4° to 158° C: -20° to 70°
Pressure	140 psi (10 bar)
Protection Rating	NEMA 4 (IP65)
Approval	CE

Mechanical	
Inline Sensor Pipe Material	Stainless Steel
Sensor Material	Ceramic, platinum with overglaze
Enclosure Material	Makrolon®
Connection Size	5/16", 1/2", 3/4"
Connection Type	Female NPT (Std.); Special Connection (Optional)
Electrical	
Supply Voltage	24 VDC ±15%
Consumption	Approx. 100 - 200 mA (max. flow)
Output Current	400 mA
Protective Circuit	Reverse voltage, short circuit and overload protection
Cable	
Cable Jacket Material	Oilflex
Cable Length	6.5 ft, 3-conductor 18 AWG

*Note: Please Consult Factory for Special Requirements*

## Features and Benefits

- Ideal for Small Pipe and Low Flow Applications
- Rugged Industrial Design
- Compact, No Additional Parts
- Features LED Output Display
- Temperature Compensated

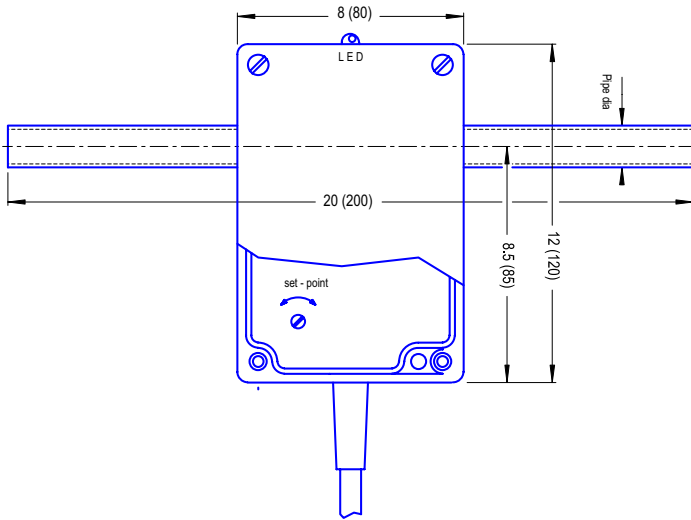
# Dimensions & Ordering Information

CalFlo™ CFAS

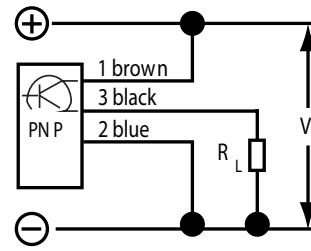
Thermal Mass Air Flow Switch



## Dimensions cm (mm)



## Connection Diagram



## Ordering Information

### HAWK Model Number Builder MODEL

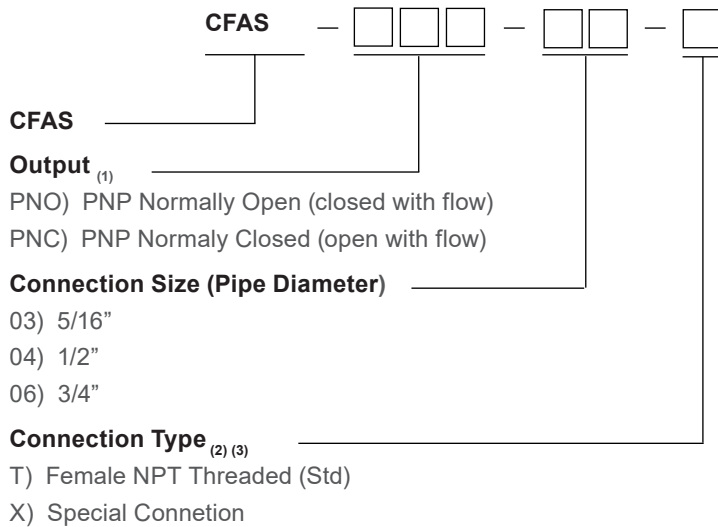
For Assistance Call 877.356.5463

Use the diagram below, working from left to right to construct your HAWK Model Number.

Simply match the category number to the corresponding box number.

Example: CFAS-PNO-03-T

CalFlo™ CFAS Thermal Mass Inline Air Flow Switch, PNP Normally Open Output, 5/16" Sensor Pipe Diameter, Female NPT Connection



### Ordering Notes:

- (1) Select the best configuration based on your requirements
- (2) If you require a Special Connection (X), please consult factory with your requirements
- (3) Comes complete with 6.5' (2m) pre-wired cable and manual

Specifications are subject to change without notice.

# Contacts

CalFlo™ CFAS

Thermal Mass Air Flow Switch



## Hawk Measurement Systems (Head Office)

15 - 17 Maurice Court, Nunawading VIC 3131, AUSTRALIA

Phone: +61 3 9873 4750

Fax: +61 3 9873 4538

info@hawk.com.au

## Hawk Measurement

5010 Gateway Drive, Medina, OH 44256, USA

Phone: +1 888 HAWKLEVEL (1-888-429-5538) / +1 978 304 3000 / +1 877-356-5463

Fax: +1 978 304 1462 / +1 330-331-7172

info@hawkmeasure.com

For more information and global representatives: [www.hawkmeasurement.com](http://www.hawkmeasurement.com)

Additional product warranty and application guarantees upon request.

Technical data subject to change without notice.

DOC-CFAS-DAT  
Rev 1.00 0420

